

# Through Hole Ceramic Resonators

U.S.Electronics Inc.

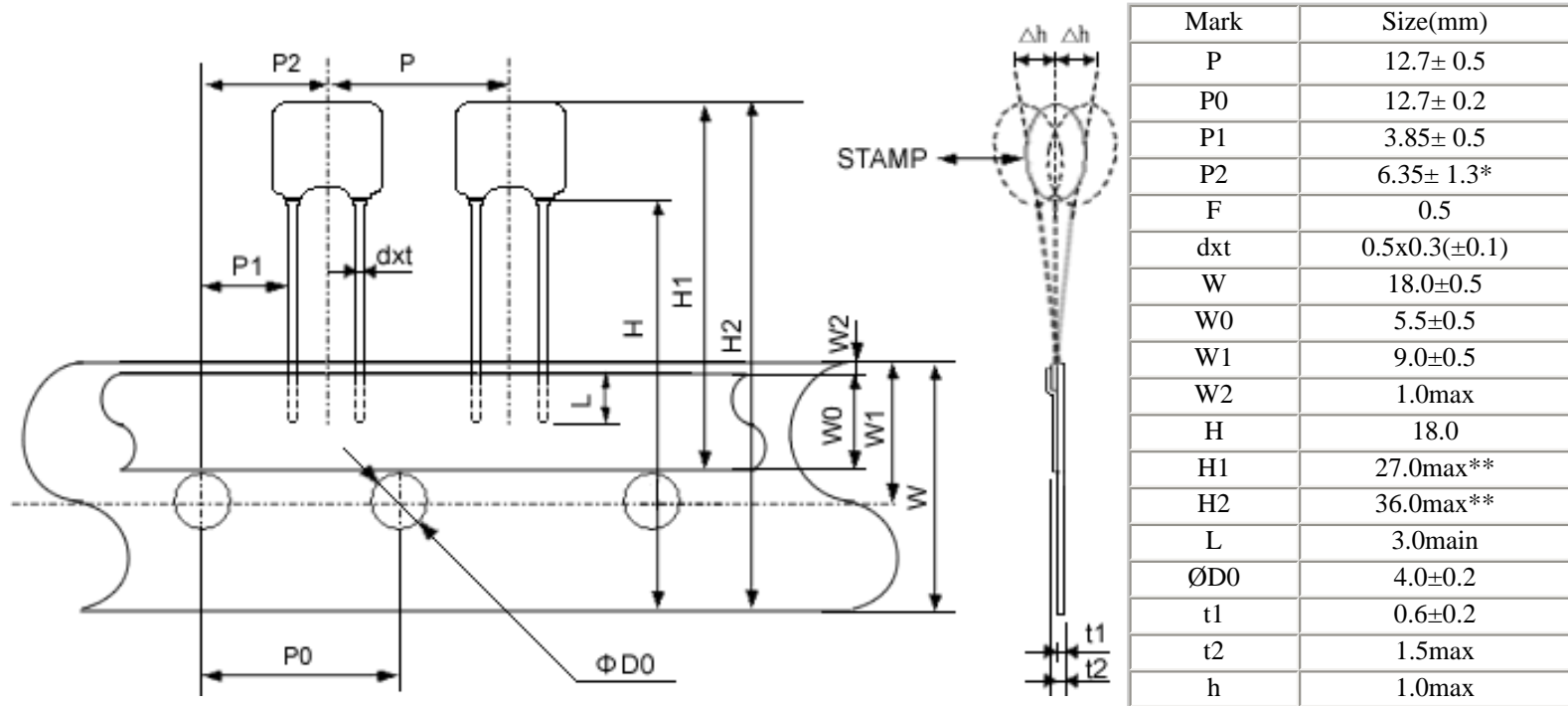
## ZTA/ZTT Series

Ph:(314) 423 7550

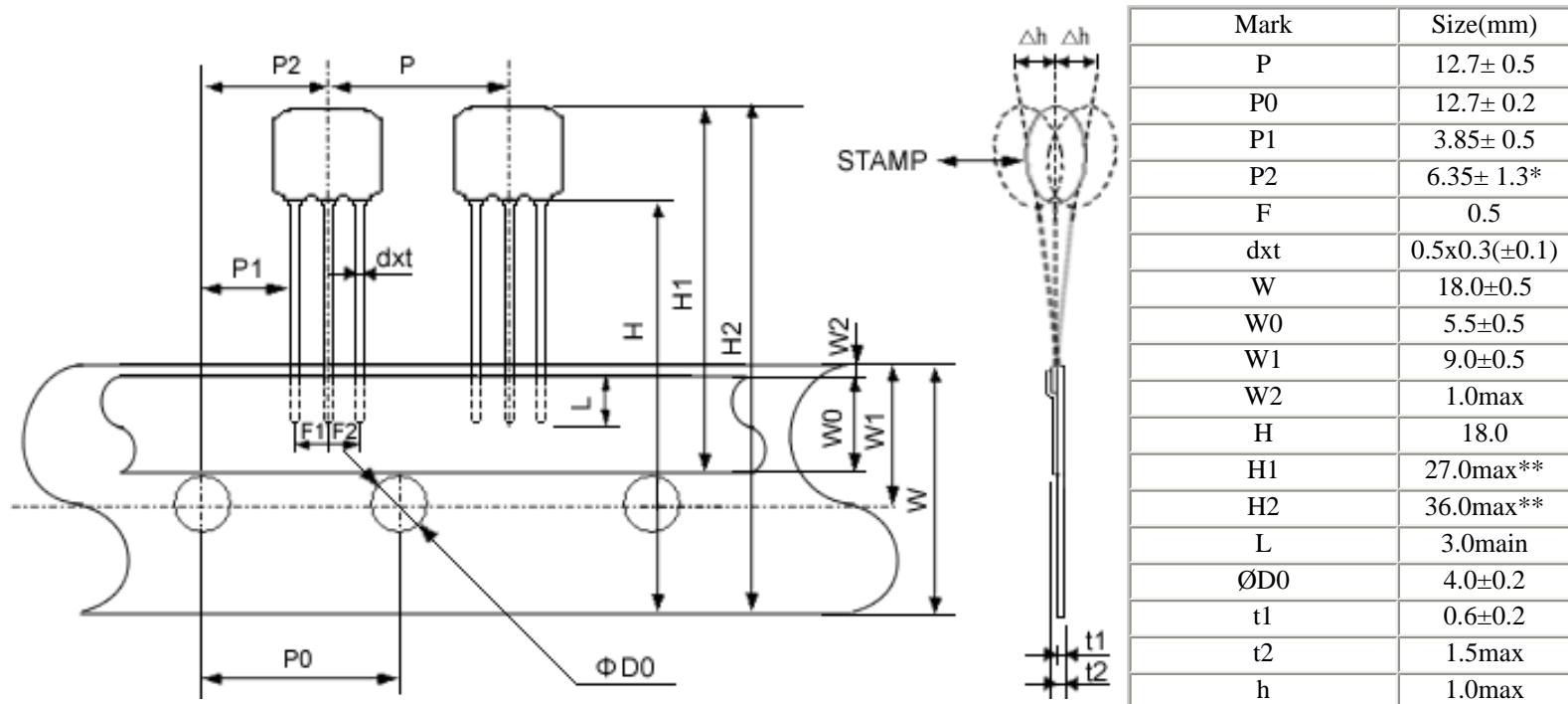
### Tape And Ammo Package Dimensions

Fax: (314) 423 0585

#### ZTA Series TAPE and AMMO Dimensions



#### ZTT Series TAPE and AMMO Dimensions



# Through Hole Ceramic Resonators

U.S.Electronics Inc.

## ZTT Series

Ph:(314) 423 7550

Compatible to Murata CST : 1.80-50.00MHz

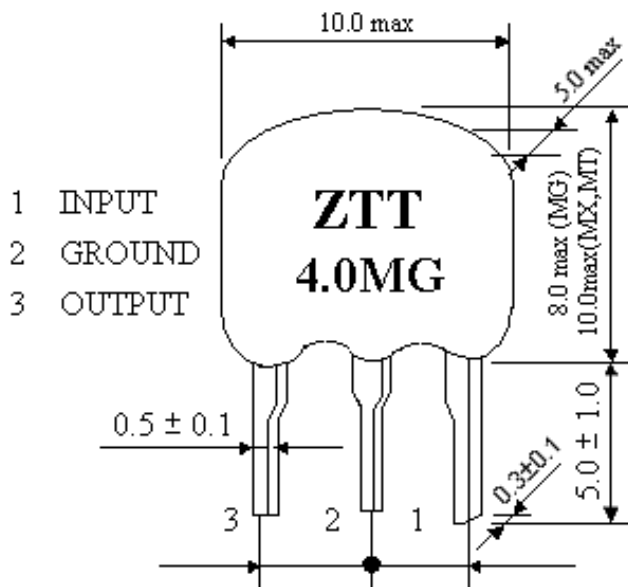
Fax: (314) 423 0585

**ZTT (MHz) Series** of ceramic resonators features a built-in load capacitance. This feature eliminates any need for external loading capacitors and reduces component count, increases reliability and reduces size. These unit are offered in the frequency range from 1.80 MHz to 50.00 MHz with an initial frequency tolerance of  $\pm 0.5\%$ . [Tape and Ammo](#) packaging is available.

### ZTT TECHNICAL CHARACTERISTICS TABLE

Part Number	Frequency Accuracy at 25°C (%)	Stability In Temperature -20°C~ +80°C (%)	Aging For Ten Years (%)
ZTT1.80 ~ 6.00MG	$\pm 0.5$	$\pm 0.3$	$\pm 0.3$
ZTT6.01 ~ 13.00MT	$\pm 0.5$	$\pm 0.3$	$\pm 0.3$
ZTT13.01 ~ 50.00MX	$\pm 0.5$	$\pm 0.3$	$\pm 0.3$

### ZTT DIMENSION (Unit: mm )



### ZTT TEST CIRCUIT

