

RATED VOLTAGE
OPERATING VOLTAGE
☆ RATED CURRENT
☆ SOUND PRESSURE LEVEL AT 10 CM
COIL RESISTANCE
RESONANT FREQUENCY
OPERATING TEMP. RANGE
STORAGE TEMP. RANGE
WEIGHT
TERMINAL

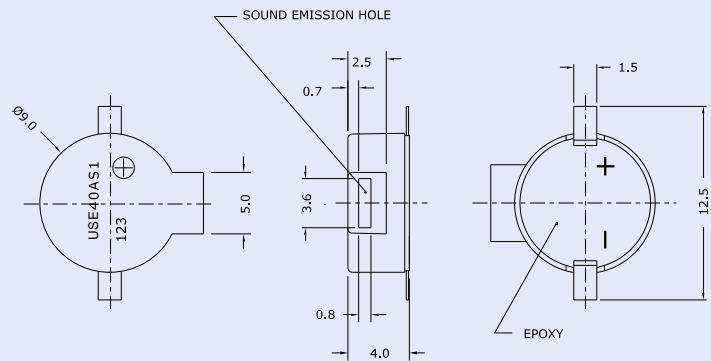
**FEATURES**

SMD small size  
Side opening for sound emission

☆ Value applying rated voltage (resonant frequency, 1/2 duty square wave)

USE 40BS1	USE 40BS2	USE 40BS3
1.5VDC	3.0VDC	5.0VDC
1~2V	2~4V	4~6V
max. 80mA	max. 70mA	max. 70mA
min. 85dB	min. 85dB	min. 85dB
5.5 ± 3Ω	15 ± 3Ω	30 ± 5Ω
2,730 Hz	2,730 Hz	2,730 Hz
-20°C to+60°C	-20°C to+60°C	-20°C to+60°C
-40°C to+85°C	-40°C to+85°C	-40°C to+85°C
1gm	1gm	1gm
SMD Type	SMD Type	SMD Type

Dimensions (Unit: mm ± 0.5)



HOUSING MATERIAL : LCP

Frequency Response

