

U.S. Electronics Inc.

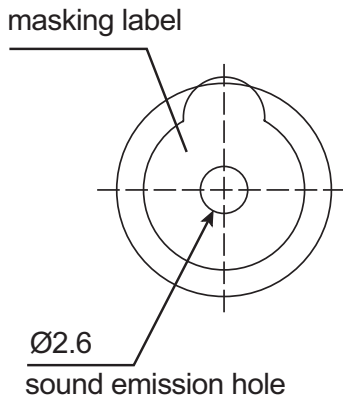
UTB series Magnetic Buzzer

color Black
Noryl SEI - GFN2 Housing Material
Pin Terminal

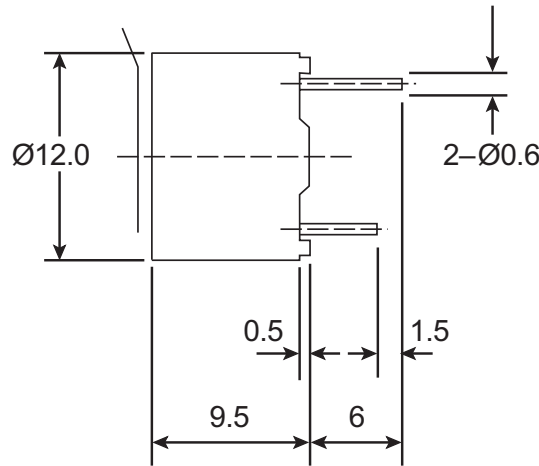
DIMENSIONS



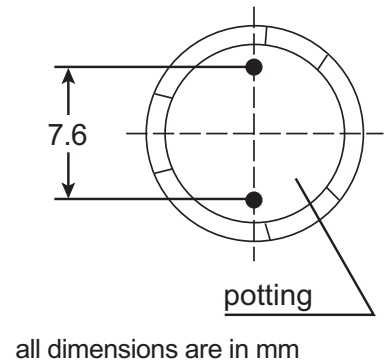
Top View



Side View



Bottom View



all dimensions are in mm

ELECTRICAL SPECIFICATIONS

Model No.		UTB01	UTB05	UTB12
Operating Voltage	(VDC)	1.25 ~ 2	4 ~ 7	8 ~ 15
Rated Voltage	(VDC)	1.5	5	12
* Max. Rated Current	(mA.)	30	30	30
* Min Sound Output	(dBA/10cm)	75	85	85
* Frequency	(Hz.)	2300±400	2300±300	2300±300
Tone Nature	(°C)	single	single	single
Operating Temperature	(gm.)	-10 ~ +50	-40 ~ +85	-40 ~ +85
Weight		2	2	2

* Value applying at rated voltage
6.5 mm pin pitch is available on request.