

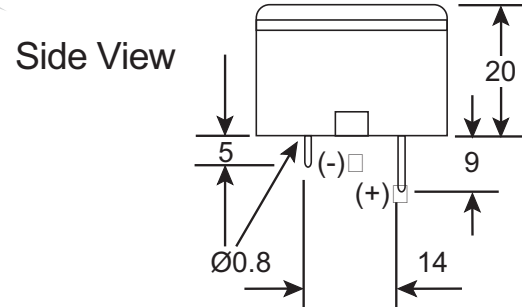
U.S. Electronics Inc.

UB-E28 Series

Magnetic Buzzer

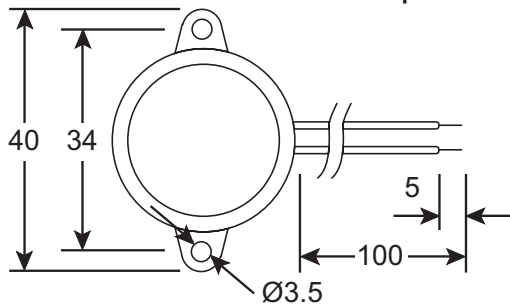
DIMENSIONS

color Black
ABS Housing Material
Pin or Leadwire Terminal

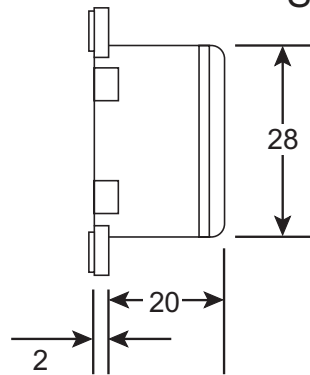


all dimensions are in mm

Leadwire Type

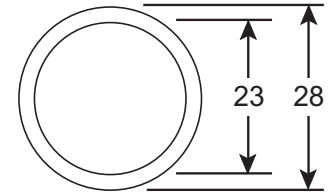


Top View



Side View

Pin Type



Top View

ELECTRICAL SPECIFICATIONS

Model No.	U2P3015	U2S3030	U2P3030	U2S3060	U2P3060	U2D3060	U2S3090	2P3090	U2D3090	U2S3120	U2S3415	U2P3120	U2D3120	U2S3240	U2P3240
Operating Voltage (VDC)	1 ~ 3	2 ~ 5	2 ~ 5	4 ~ 9	4 ~ 9	4 ~ 9	6 ~ 11	6 ~ 11	6 ~ 11	9 ~ 15	4 ~ 15	8 ~ 15	8 ~ 15	15 ~ 28	15 ~ 28
Rated Voltage (VDC)	1.5	3	3	6	6	6	9	9	9	12	12	12	12	24	24
* Max. Rated Current (mA.)	5	35	8	35	10	35/10	40	10	35/15	40	15	15	40/15	25	20
* Min. Sound Output (dBA/30cm)	70	85	73	90	78	85/70	90	80	85/75	95	90	85	90/80	95	85
* Frequency (Hz.)	2800 ± 200														
Tone Nature	pulse	single	pulse	single	pulse	single/pulse	single	pulse	single/pulse	single	single	pulse	single/pulse	single	pulse
Operating Temperature (°C)	-20 ~ +60														
Weight (gm.)	10														

* Value applying at rated voltage
The Pulse Rating is 2~7Hz at Rated Voltage.