

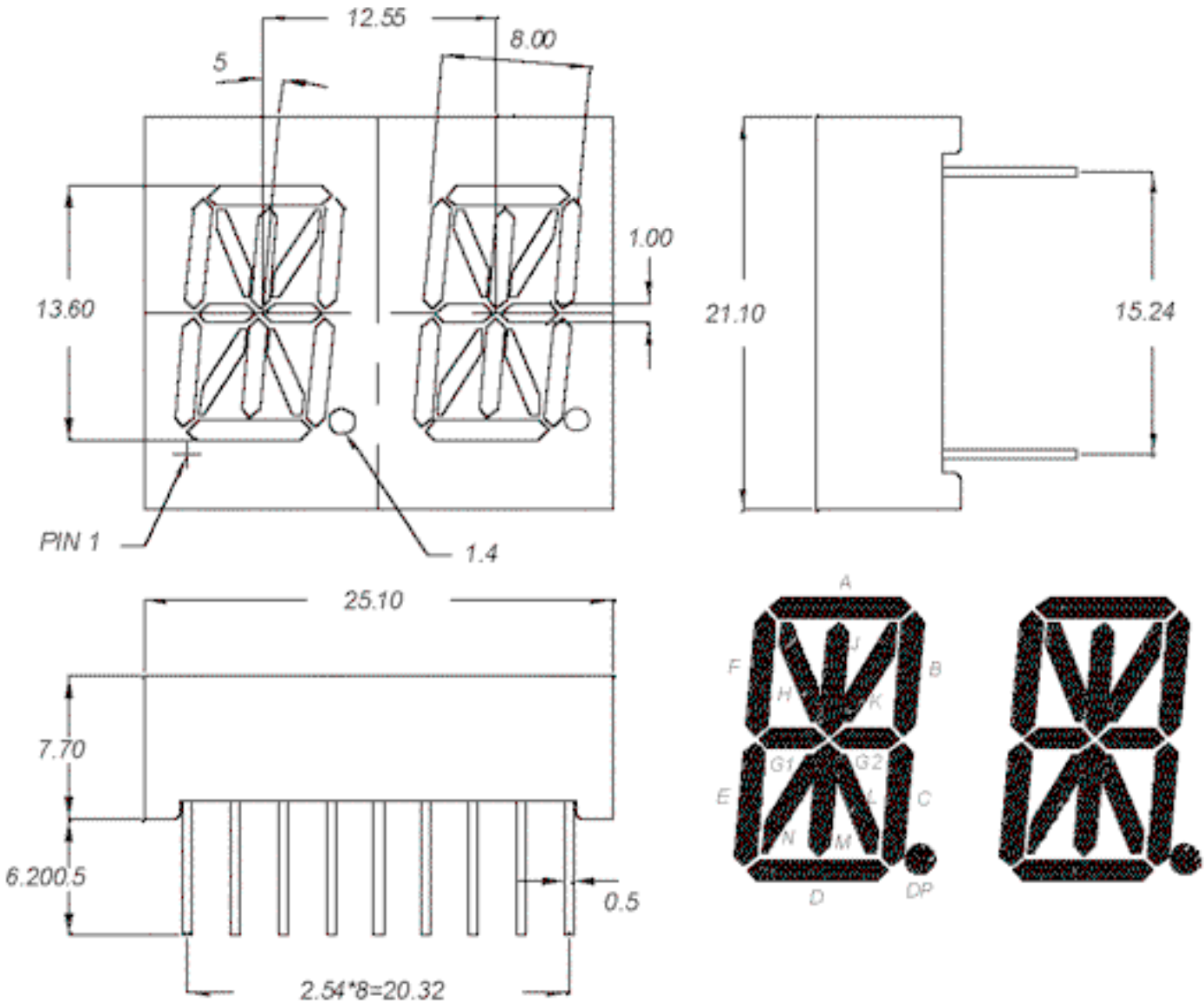
LED DISPLAYS

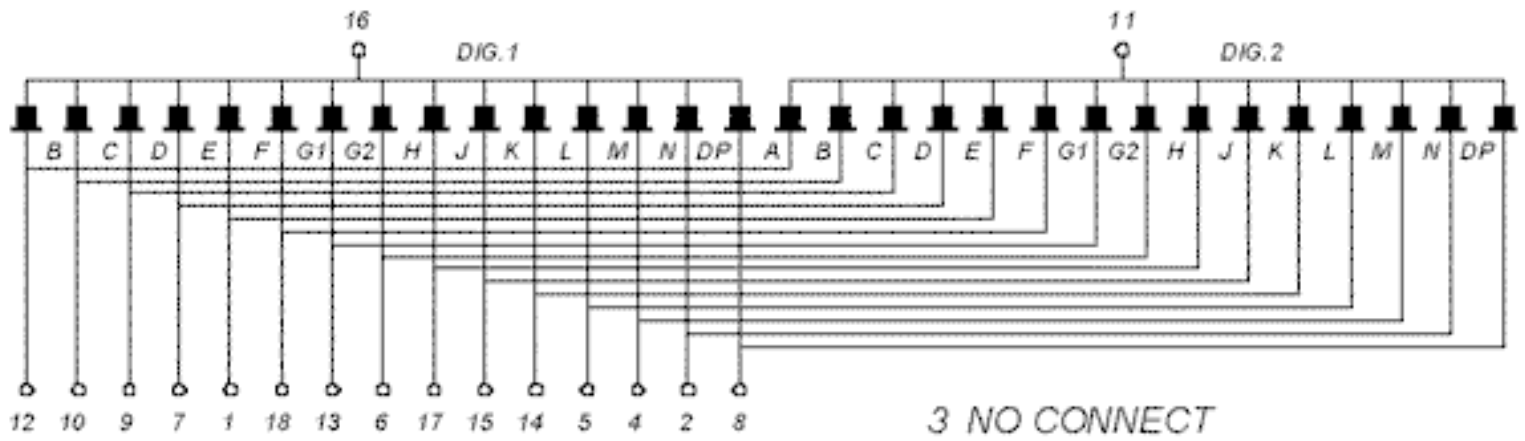
U.S.Electronics Inc.

Ph:(314)423 7550

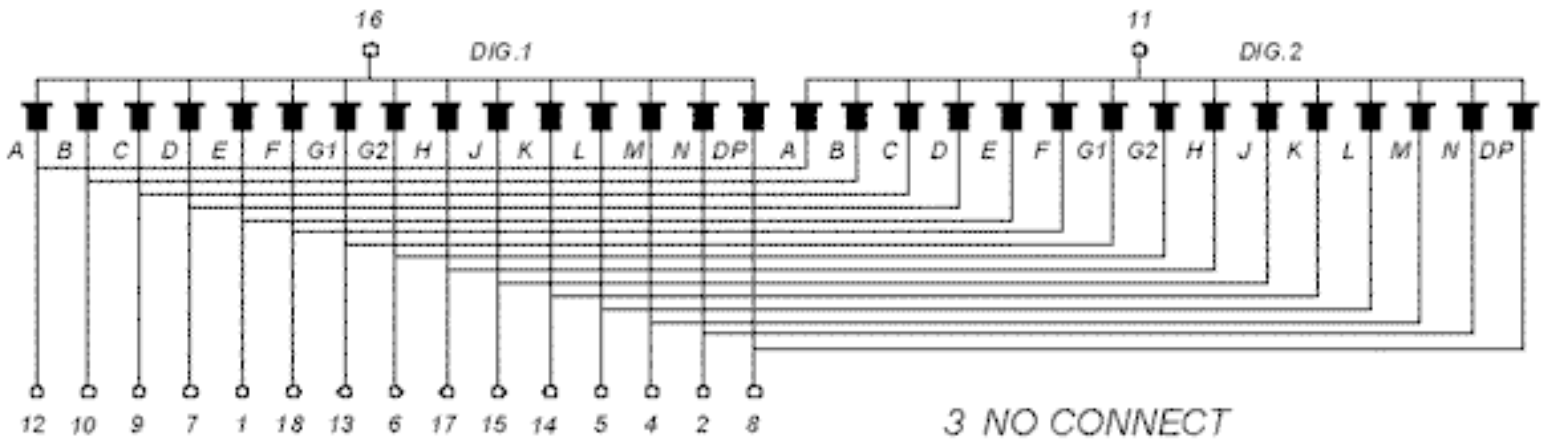
CMT - 054XX00

Fax:(314)423 0585





- | | |
|---------------|------------------------|
| 1. CATHODE E | 10. CATHODE B |
| 2. CATHODE N | 11. COMMON ANODE DIG.2 |
| 3 NO CONNECT | 12. CATHODE A |
| 4. CATHODE M | 13. CATHODE G1 |
| 5. CATHODE L | 14. CATHODE K |
| 6. CATHODE G2 | 15. CATHODE J |
| 7. CATHODE D | 16. COMMON ANODE DIG.1 |
| 8. CATHODE DP | 17. CATHODE H |
| 9. CATHODE C | 18. CATHODE F |



- | | |
|---------------|--------------------------|
| 1. ANODE E | 10. ANODE B |
| 2. ANODE N | 11. COMMON CATHODE DIG.2 |
| 3. NO CONNECT | 12. ANODE A |
| 4. ANODE M | 13. ANODE G1 |
| 5. ANODE L | 14. ANODE K |
| 6. ANODE G2 | 15. ANODE J |
| 7. ANODE D | 16. COMMON CATHODE DIG.1 |
| 8. ANODE DP | 17. ANODE H |
| 9. ANODE C | 18. ANODE F |

Part Numbers		Emitting Color	IF=20mA Min. ~ Typ.
COMMON CATHODE	COMMON ANODE		
CMT - 0545200	CMT - 0546200	Green	0.50 - 1.80
CMT - 0545300	CMT - 0546300	Orange	0.50 - 1.80
CMT - 0545400	CMT - 0546400	Gap-Red	0.35 - 0.75
CMT - 0545500	CMT - 0546500	Hi-Effi	0.50 - 1.80
CMT - 0545600	CMT - 0546600	Yellow	0.50 - 1.80
CMT - 0545L00	CMT - 0546L00	GaAlAs Red	1.80 - 4.50
CMT - 0545G00	CMT - 0546G00	SB/Green	1.40 - 3.60