

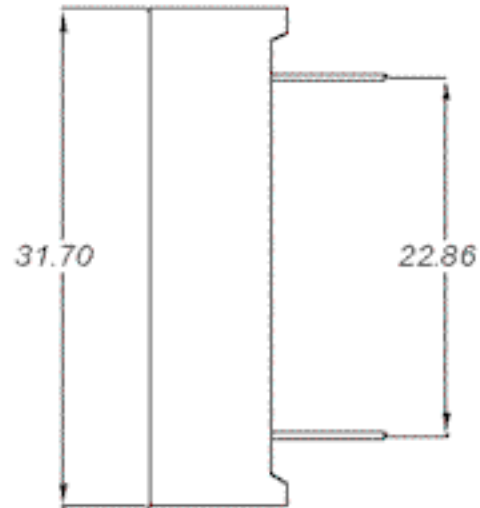
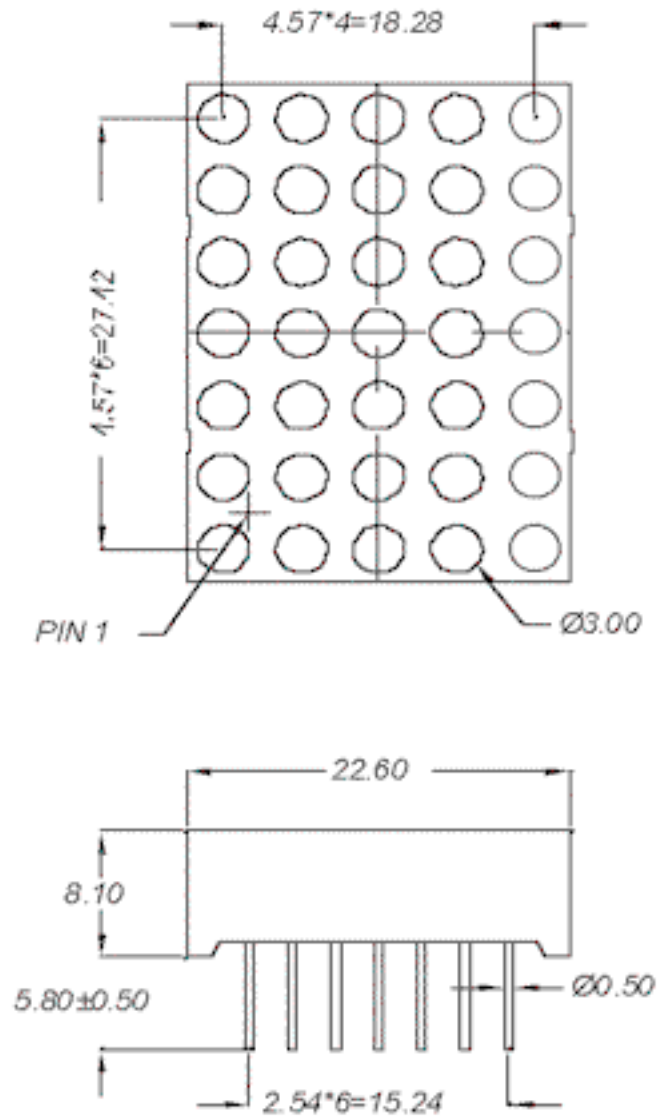
LED DISPLAYS

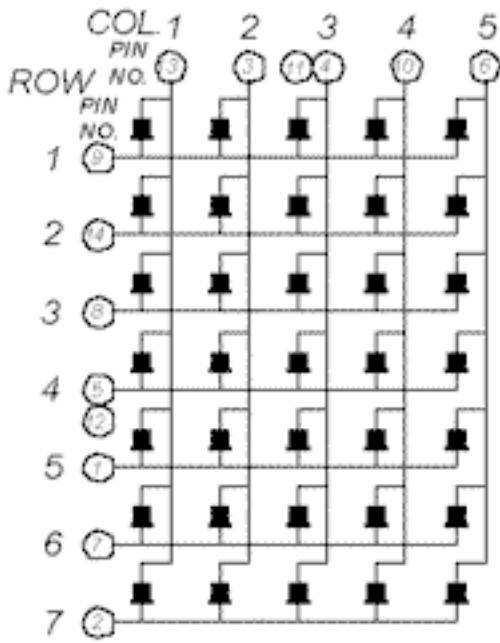
U.S.Electronics Inc.

Ph:(314)423 7550

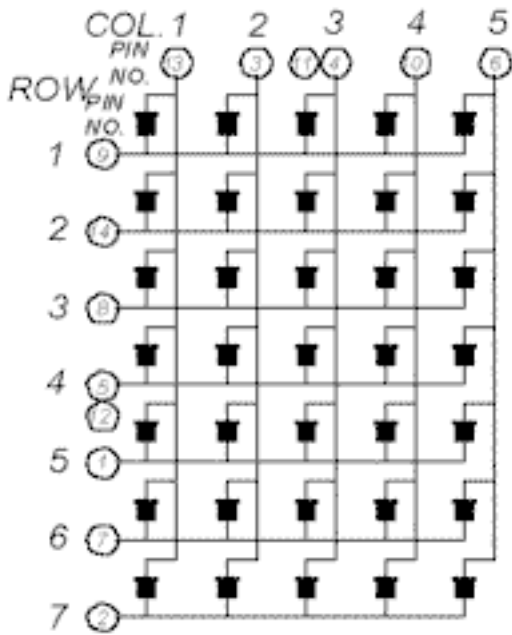
CMD - 357XX0B

Fax:(314)423 0585





1. CATHODE ROW 5
2. CATHODE ROW 7
3. ANODE COLUMN 2
4. ANODE COLUMN 3
5. CATHODE ROW 4
6. ANODE COLUMN 5
7. CATHODE ROW 6
8. CATHODE ROW 3
9. CATHODE ROW 1
10. ANODE COLUMN 4
11. ANODE COLUMN 3
12. CATHODE ROW 4
13. ANODE COLUMN 1
14. CATHODE ROW 2



1. ANODE ROW 5
2. ANODE ROW 7
3. CATHODE COLUMN 2
4. CATHODE COLUMN 3
5. ANODE ROW 4
6. CATHODE COLUMN 5
7. ANODE ROW 6
8. ANODE ROW 3
9. ANODE ROW 1
10. CATHODE COLUMN 4
11. CATHODE COLUMN 3
12. ANODE ROW 4
13. CATHODE COLUMN 1
14. ANODE ROW 2

Part Numbers		Emitting Color	IF=20mA Min. ~ Typ.
COMMON CATHODE	COMMON ANODE		
CMD - 357120B	CMD - 357220B	Green	1.78 - 4.00
CMD - 357130B	CMD - 357230B	Orange	1.78 - 4.00
CMD - 357140B	CMD - 357240B	Gap-Red	0.72 - 1.80
CMD - 357150B	CMD - 357250B	Hi-Effi	1.78 - 4.00
CMD - 357160B	CMD - 357260B	Yellow	1.78 - 3.60
CMD - 3571L0B	CMD - 3572L0B	GaAlAs Red	8.00 - 12.0
CMD - 3571G0B	CMD - 3572G0B	SB/Green	3.20 - 8.00