

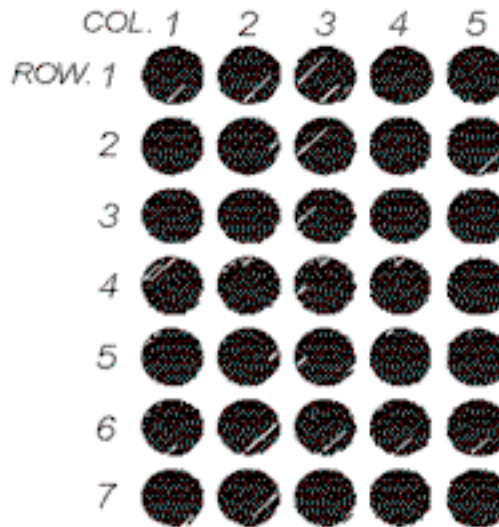
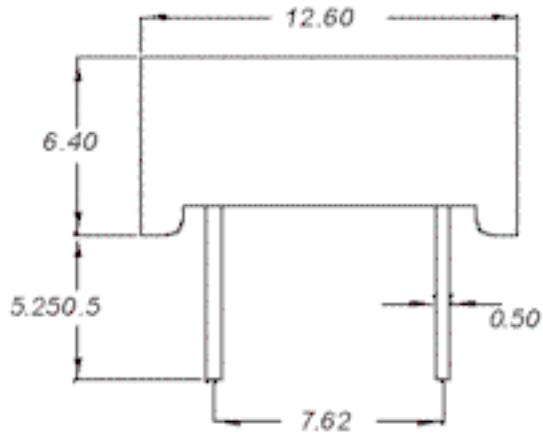
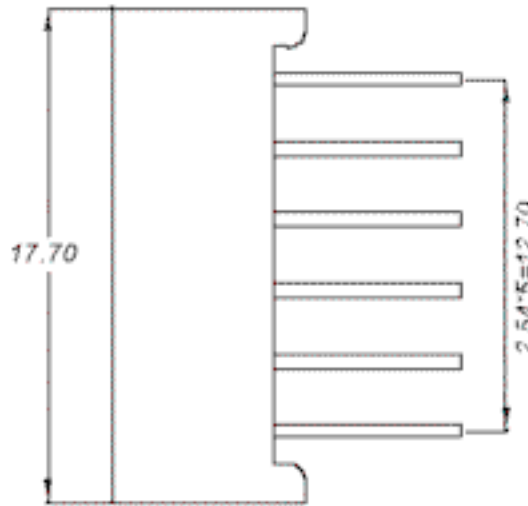
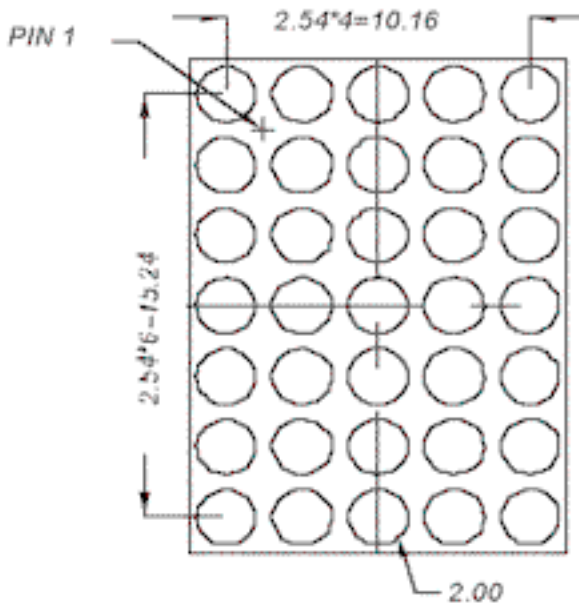
LED DISPLAYS

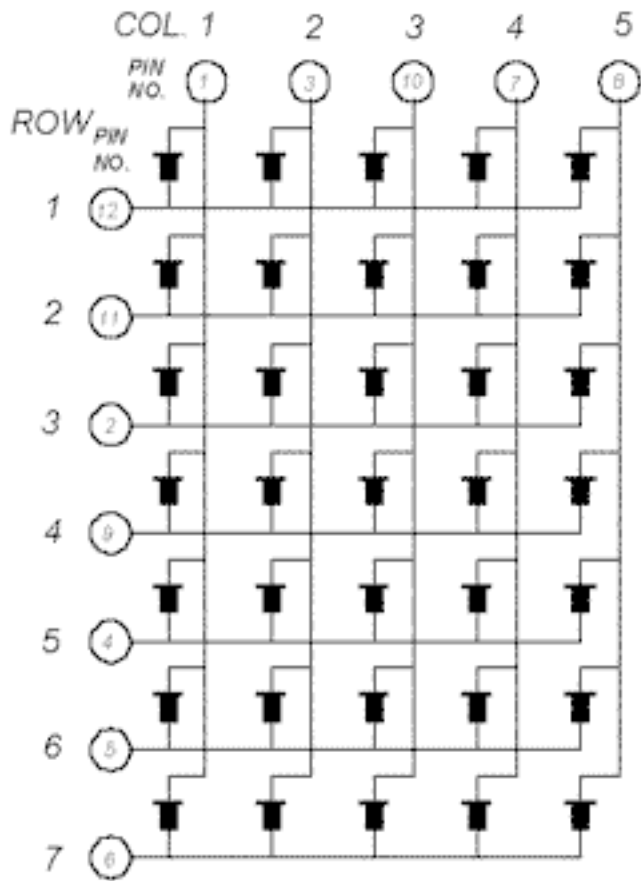
U.S.Electronics Inc.

Ph:(314)423 7550

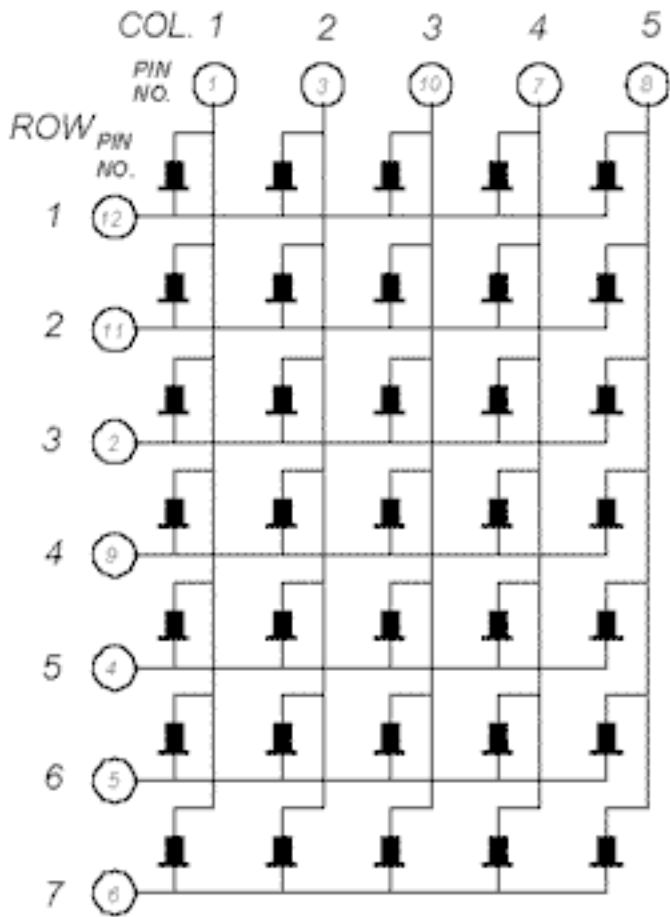
CMD - 157XX00

Fax:(314)423 0585





1. CATHODE COLUMN 1
2. ANODE ROW 3
3. CATHODE COLUMN 2
4. ANODE ROW 5
5. ANODE ROW 6
6. ANODE ROW 7
7. CATHODE COLUMN 4
8. CATHODE COLUMN 5
9. ANODE ROW 4
10. CATHODE COLUMN 3
11. ANODE ROW 2
12. ANODE ROW 1



1. ANODE COLUMN 1
2. CATHODE ROW 3
3. ANODE COLUMN 2
4. CATHODE ROW 5
5. CATHODE ROW 6
6. CATHODE ROW 7
7. ANODE COLUMN 4
8. ANODE COLUMN 5
9. CATHODE ROW 4
10. ANODE COLUMN 3
11. CATHODE ROW 2
12. CATHODE ROW 1

Part Numbers		Emitting Color	IF=20mA Min. ~ Typ.
COMMON CATHODE	COMMON ANODE		
CMD - 1571200	CMD - 1572200	Green	0.80 - 2.00
CMD - 1571300	CMD - 1572300	Orange	0.80 - 2.00
CMD - 1571400	CMD - 1572400	Gap-Red	---
CMD - 1571500	CMD - 1572500	Hi-Effi	0.80 - 2.00
CMD - 1571600	CMD - 1572600	Yellow	---
CMD - 1571L00	CMD - 1572L00	GaAlAs Red	2.00 - 5.00
CMD - 1571G00	CMD - 1572G00	SB/Green	1.60 - 4.00