

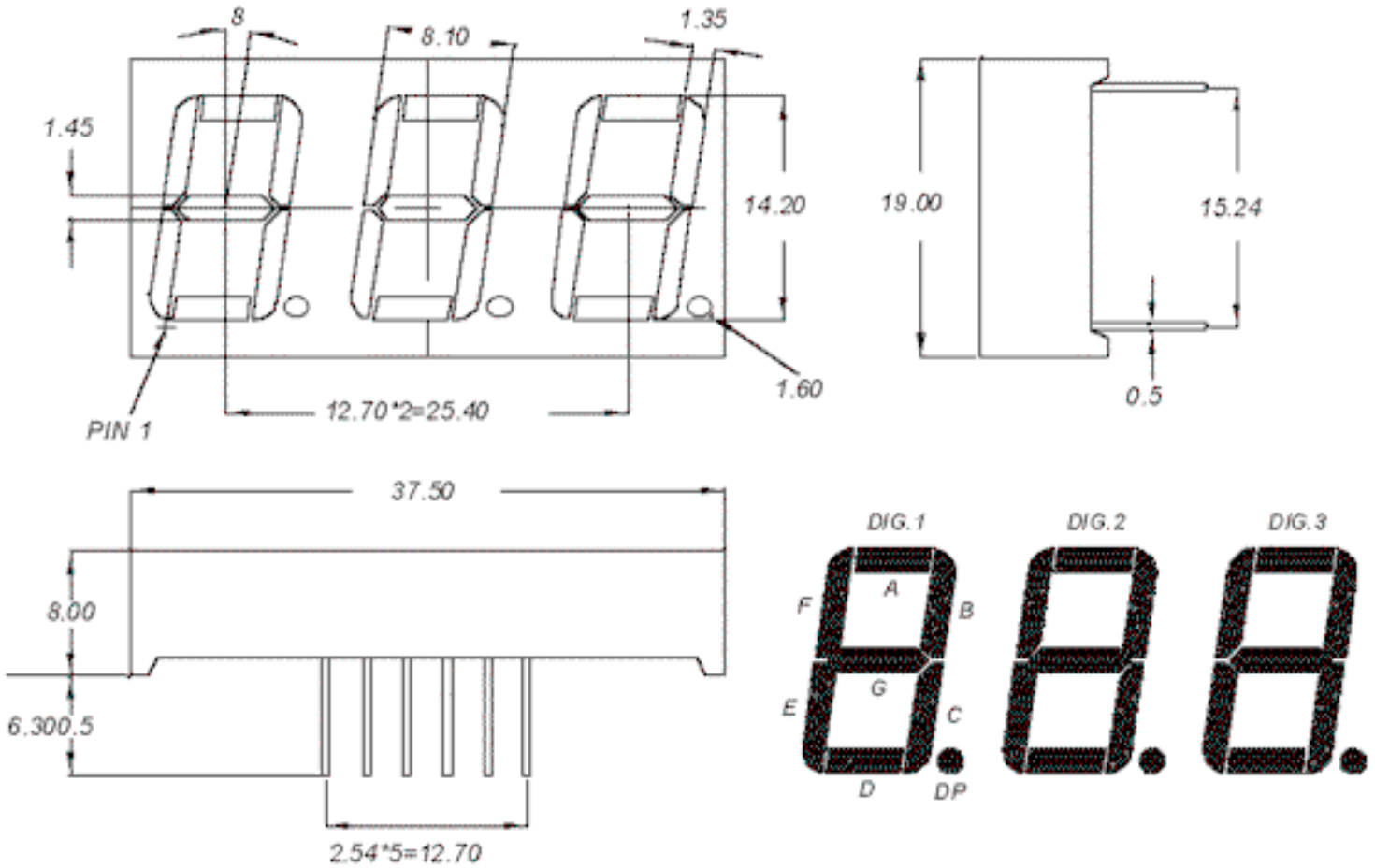
LED DISPLAYS

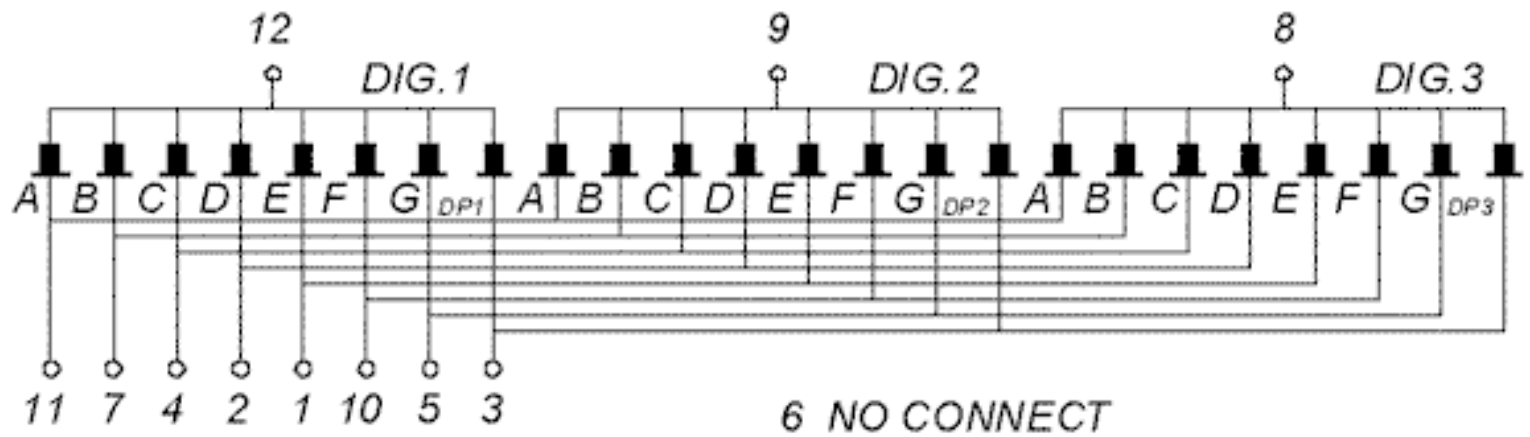
U.S.Electronics Inc.

Ph:(314)423 7550

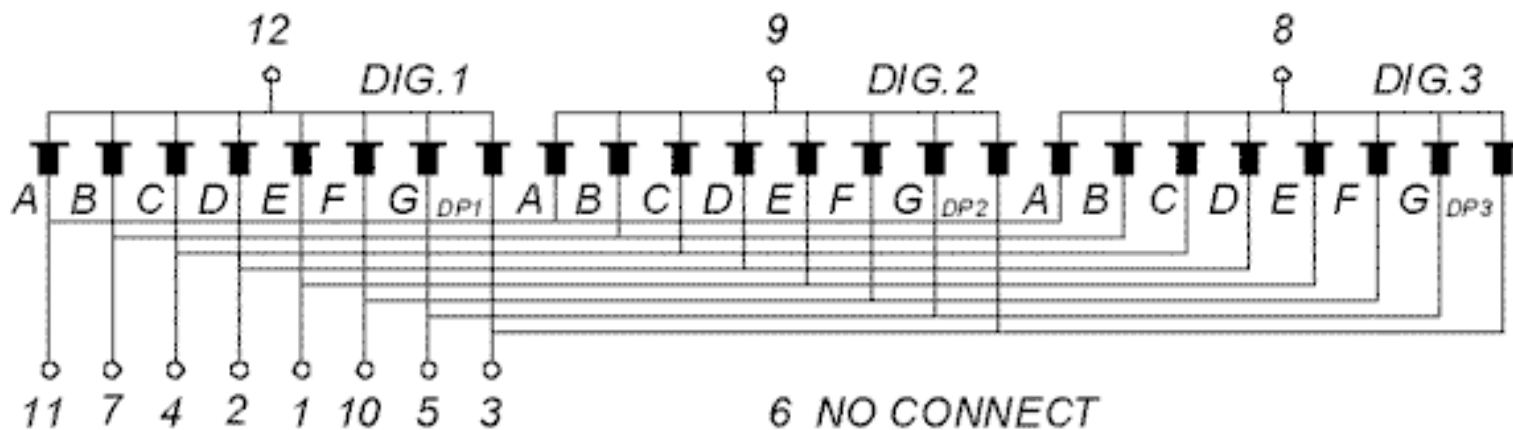
CM3 - 056XX00

Fax:(314)423 0585





1. CATHODE E
2. CATHODE D
3. CATHODE DP1, DP2, DP3
4. CATHODE C
5. CATHODE G
6. NO CONNECT
7. CATHODE B
8. COMMON ANODE DIG.3
9. COMMON ANODE DIG.2
10. CATHODE F
11. CATHODE A
12. COMMON ANODE DIG.1



1. ANODE E
2. ANODE D
3. ANODE DP1, DP2, DP3
4. ANODE C
5. ANODE G
6. NO CONNECT
7. ANODE B
8. COMMON CATHODE DIG.3
9. COMMON CATHODE DIG.2
10. ANODE F
11. ANODE A
12. COMMON CATHODE DIG.1

Part Numbers		Emitting Color	IF=20mA Min. ~ Typ.
COMMON CATHODE	COMMON ANODE		
CM3 - 0565200	CM3 - 0566200	Green	0.80 - 2.40
CM3 - 0565300	CM3 - 0566300	Orange	0.80 - 2.40
CM3 - 0565560	CM3 - 0566560	Gap-Red	0.32 - 0.95
CM3 - 0565500	CM3 - 0566500	Hi-Effi	0.80 - 2.40
CM3 - 0565600	CM3 - 0566600	Yellow	0.80 - 2.40
CM3 - 0565L00	CM3 - 0566L00	GaAlAs Red	2.40 - 6.00
CM3 - 0565G00	CM3 - 0566G00	SB/Green	1.70 - 4.80