

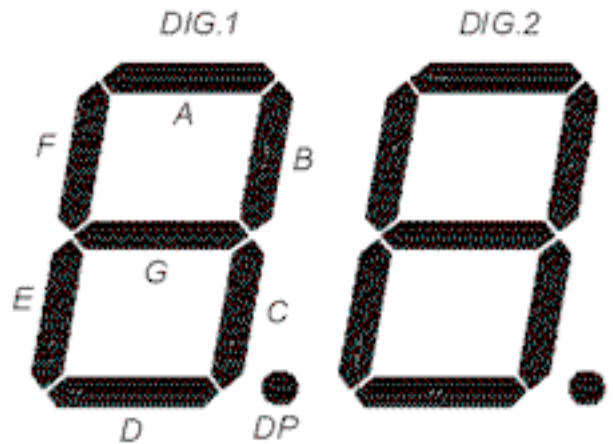
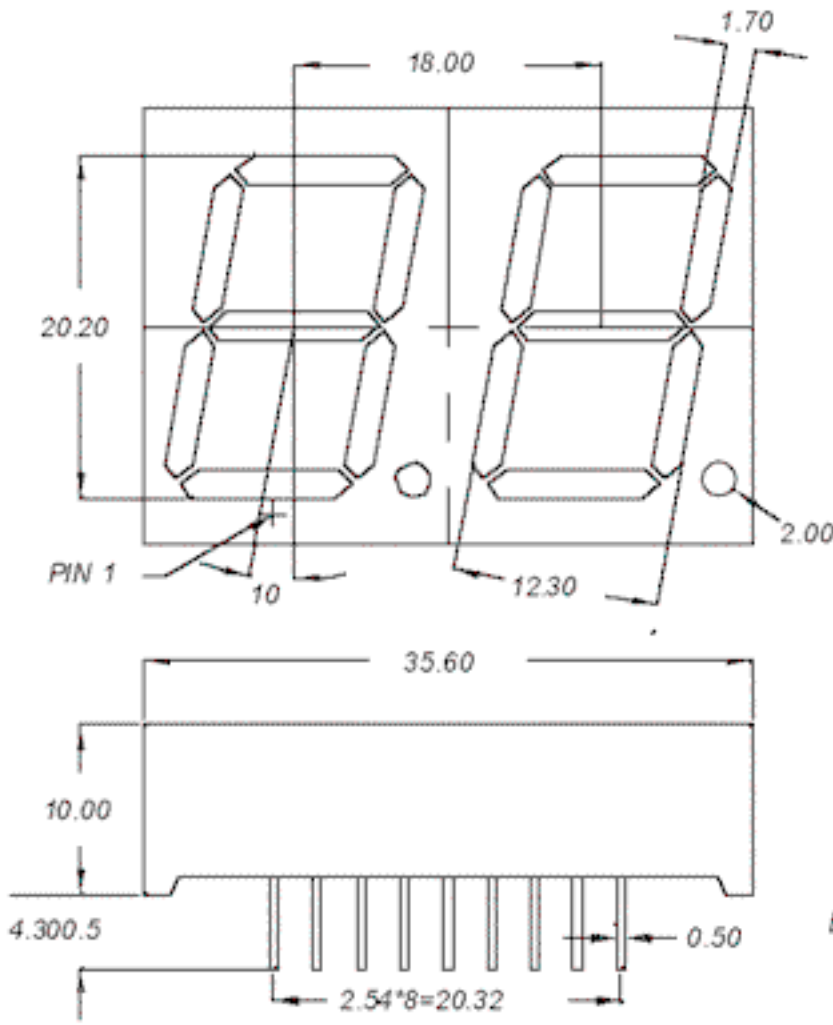
LED DISPLAYS

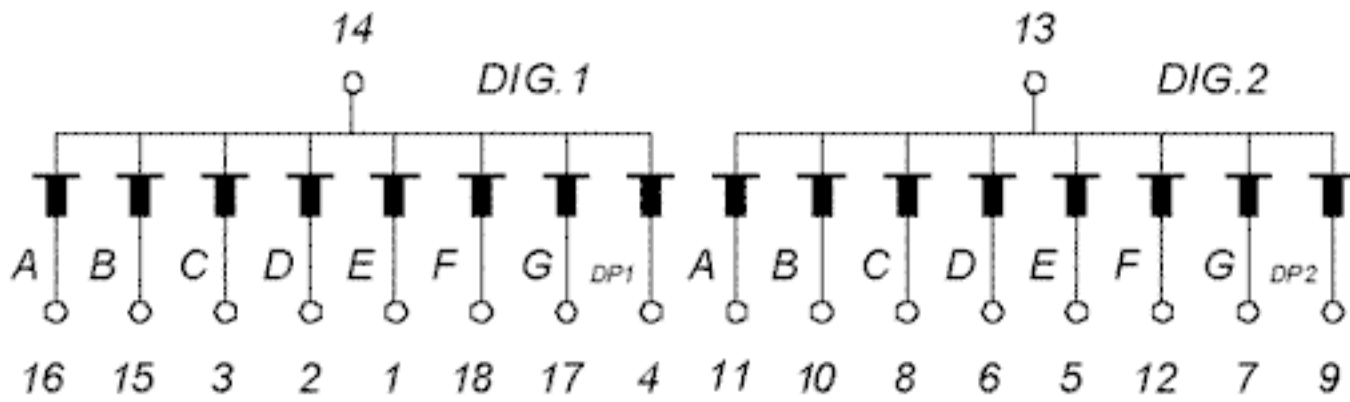
U.S.Electronics Inc.

Ph:(314)423 7550

CM2 - 080XX00

Fax:(314)423 0585





- | | |
|--------------------|--------------------------|
| 1. DIG.1 ANODE E | 10. DIG.2 ANODE B |
| 2. DIG.1 ANODE D | 11. DIG.2 ANODE A |
| 3. DIG.1 ANODE C | 12. DIG.2 ANODE F |
| 4. DIG.1 ANODE DP1 | 13. DIG.2 COMMON CATHODE |
| 5. DIG.2 ANODE E | 14. DIG.1 COMMON CATHODE |
| 6. DIG.2 ANODE D | 15. DIG.1 ANODE B |
| 7. DIG.2 ANODE G | 16. DIG.1 ANODE A |
| 8. DIG.2 ANODE C | 17. DIG.1 ANODE G |
| 9. DIG.2 ANODE DP2 | 18. DIG.1 ANODE F |

Part Numbers		Emitting Color	IF=20mA Min. ~ Typ.
COMMON CATHODE	COMMON ANODE		
CM2 - 0801200	CM2 - 0802200	Green	1.00 - 2.55
CM2 - 0801300	CM2 - 0802300	Orange	1.00 - 2.55
CM2 - 0801400	CM2 - 0802400	Gap-Red	0.40 - 1.00
CM2 - 0801500	CM2 - 0802500	Hi-Effi	1.00 - 2.55
CM2 - 0801600	CM2 - 0802600	Yellow	1.00 - 2.55
CM2 - 0801L00	CM2 - 0802L00	GaAlAs Red	2.60 - 6.40
CM2 - 0801G00	CM2 - 0802G00	SB/Green	2.00 - 5.00