

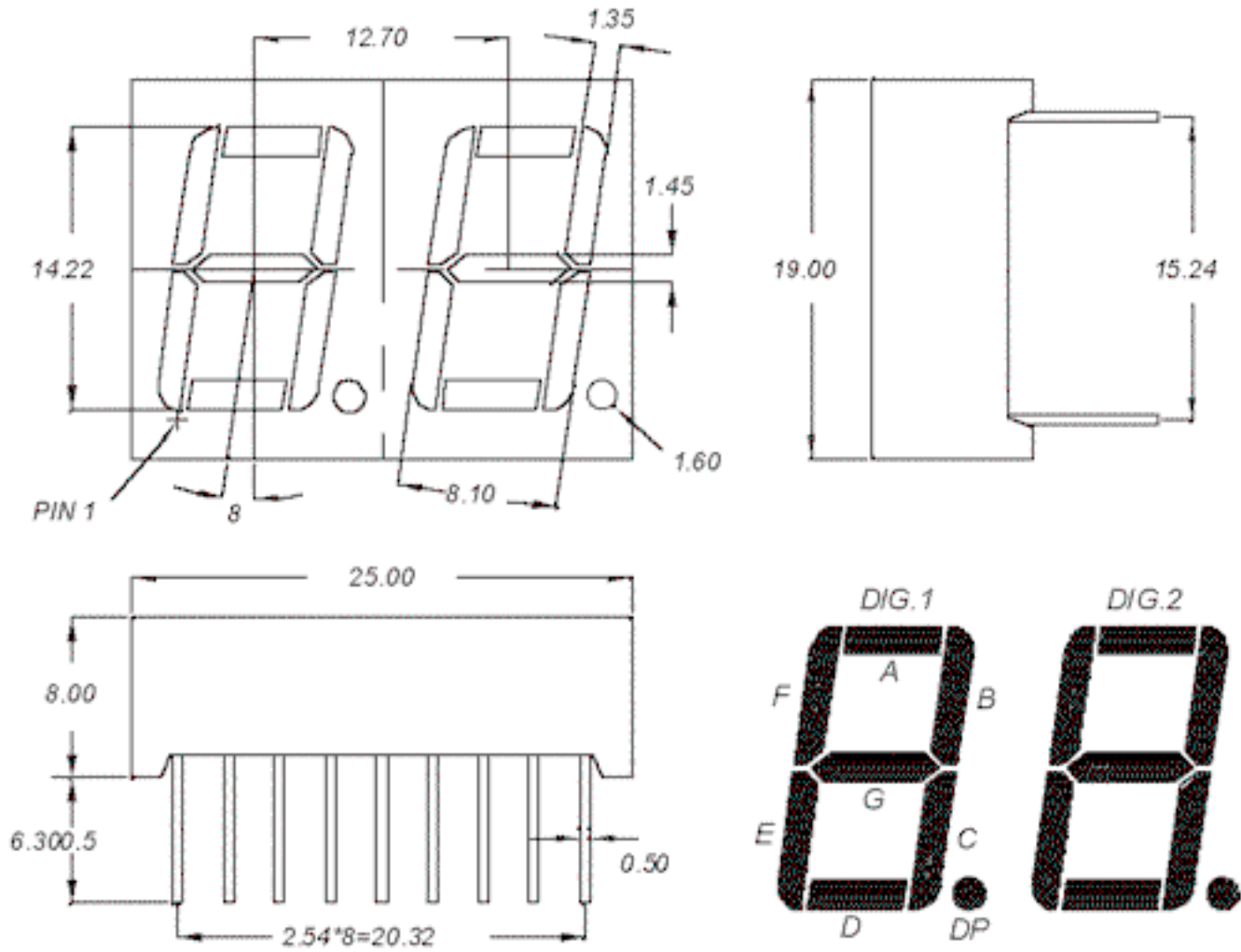
LED DISPLAYS

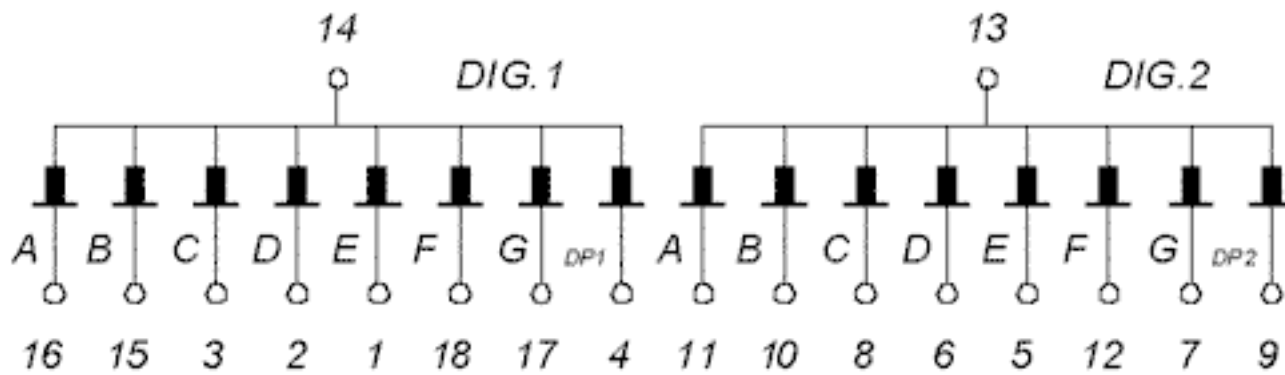
U.S.Electronics Inc.

Ph:(314)423 7550

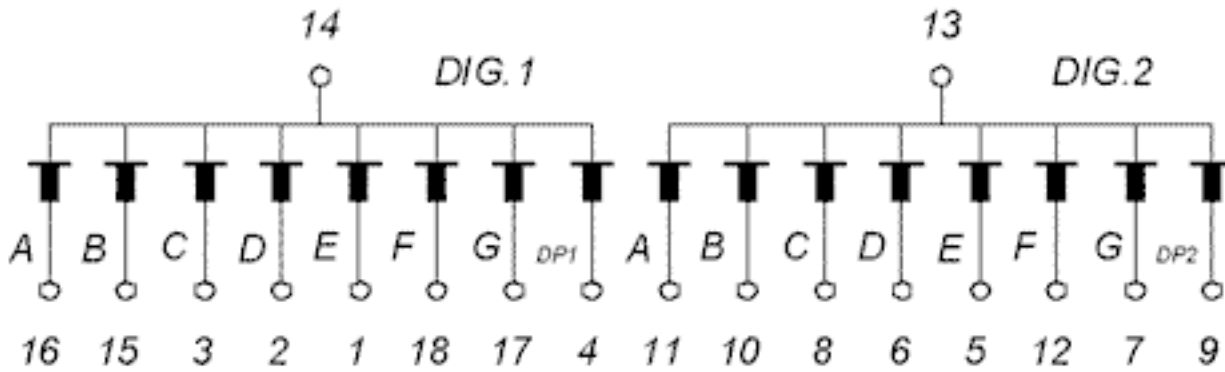
CM2 - 056XX00

Fax:(314)423 0585





- | | |
|----------------------|------------------------|
| 1. DIG.1 CATHODE E | 10. DIG.2 CATHODE B |
| 2. DIG.1 CATHODE D | 11. DIG.2 CATHODE A |
| 3. DIG.1 CATHODE C | 12. DIG.2 CATHODE F |
| 4. DIG.1 CATHODE DP1 | 13. DIG.2 COMMON ANODE |
| 5. DIG.2 CATHODE E | 14. DIG.1 COMMON ANODE |
| 6. DIG.2 CATHODE D | 15. DIG.1 CATHODE B |
| 7. DIG.2 CATHODE G | 16. DIG.1 CATHODE A |
| 8. DIG.2 CATHODE C | 17. DIG.1 CATHODE G |
| 9. DIG.2 CATHODE DP2 | 18. DIG.1 CATHODE F |



- | | |
|--------------------|--------------------------|
| 1. DIG.1 ANODE E | 10. DIG.2 ANODE B |
| 2. DIG.1 ANODE D | 11. DIG.2 ANODE A |
| 3. DIG.1 ANODE C | 12. DIG.2 ANODE F |
| 4. DIG.1 ANODE DP1 | 13. DIG.2 COMMON CATHODE |
| 5. DIG.2 ANODE E | 14. DIG.1 COMMON CATHODE |
| 6. DIG.2 ANODE D | 15. DIG.1 ANODE B |
| 7. DIG.2 ANODE G | 16. DIG.1 ANODE A |
| 8. DIG.2 ANODE C | 17. DIG.1 ANODE G |
| 9. DIG.2 ANODE DP2 | 18. DIG.1 ANODE F |

Part Numbers		Emitting Color	IF=20mA Min. ~ Typ.
COMMON CATHODE	COMMON ANODE		
CM2 - 0561200	CM2 - 0562200	Green	0.87 - 2.40
CM2 - 0561300	CM2 - 0562300	Orange	0.87 - 2.40
CM2 - 0561400	CM2 - 0562400	Gap-Red	0.87 - 0.95
CM2 - 0561500	CM2 - 0562500	Hi-Effi	0.87 - 2.40
CM2 - 0561600	CM2 - 0562600	Yellow	0.87 - 2.40
CM2 - 0561L00	CM2 - 0562L00	GaAlAs Red	2.40 - 6.00
CM2 - 0561G00	CM2 - 0562G00	SB/Green	1.70 - 4.80