

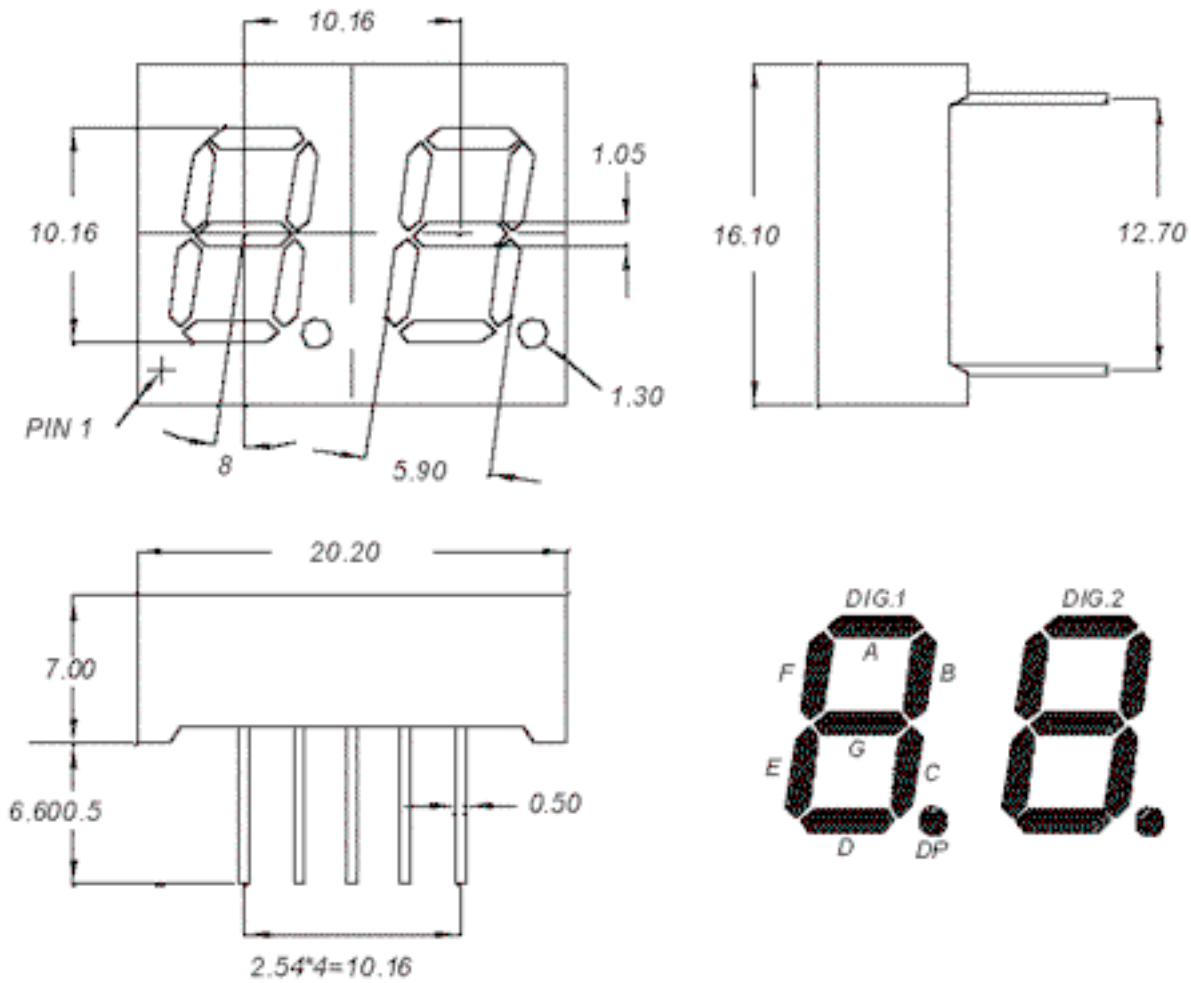
LED DISPLAYS

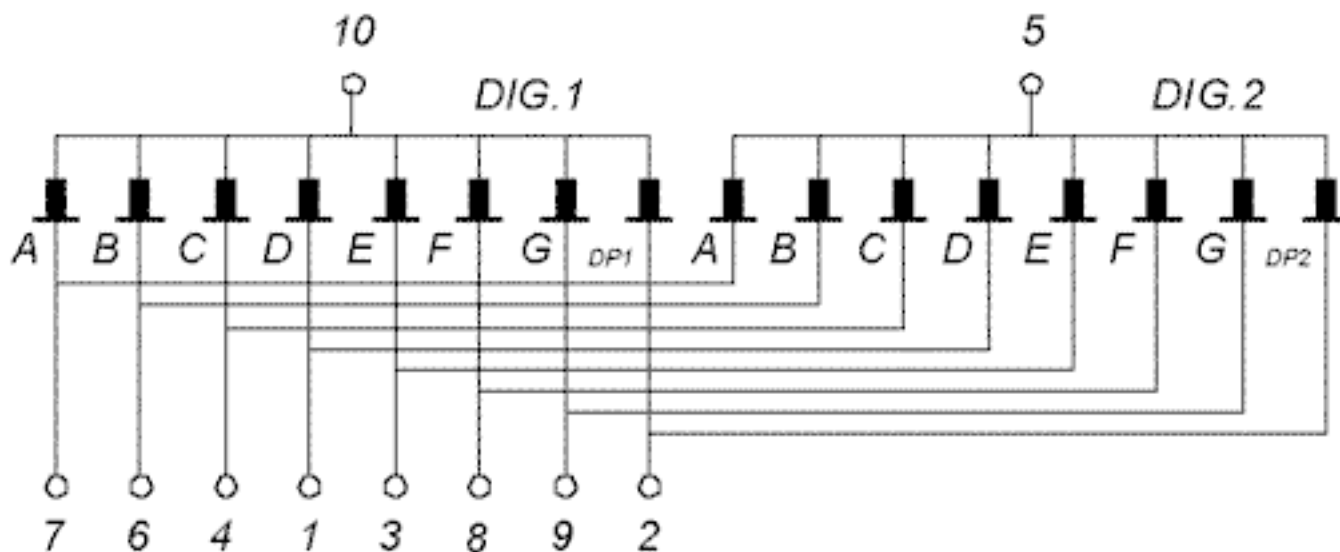
U.S.Electronics Inc.

Ph:(314)423 7550

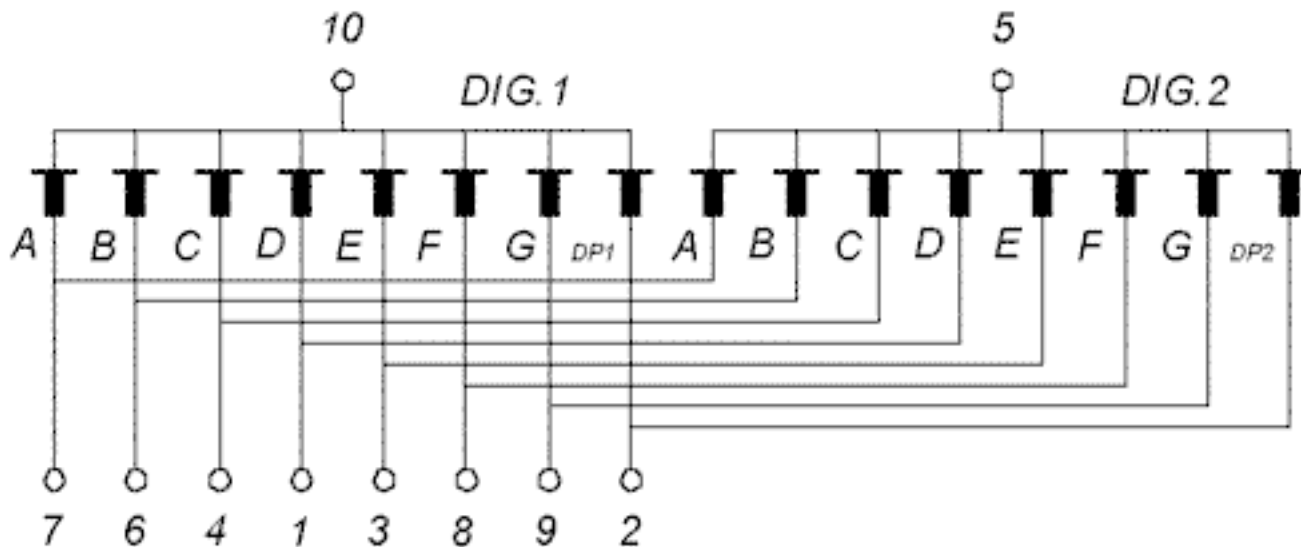
CM2 - 040XX00

Fax:(314)423 0585

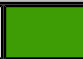










1. CATHODE D
2. CATHODE DP1, DP2
3. CATHODE E
4. CATHODE C
5. COMMON ANODE DIG.2
6. CATHODE B
7. CATHODE A
8. CATHODE F
9. CATHODE G
10. COMMON ANODE DIG.1



- 1. ANODE D
- 2. ANODE DP1 , DP2
- 3. ANODE E
- 4. ANODE C
- 5. COMMON CATHODE DIG.2
- 6. ANODE B
- 7. ANODE A
- 8. ANODE F
- 9. ANODE G
- 10. COMMON CATHODE DIG.1

PartNumbers		Emitting Color	IF=20mA Min. ~ Typ.
COMMON CATHODE	COMMON ANODE		
CM2 - 0405200	CM2 - 0406200	Green 	0.87 - 2.20
CM2 - 0405300	CM2 - 0406300	Orange 	0.87 - 2.20
CM2 - 0405400	CM2 - 0406400	Gap-Red 	0.34 - 0.80
CM2 - 0405500	CM2 - 0406500	Hi-Effi 	0.87 - 2.20
CM2 - 0405600	CM2 - 0406600	Yellow 	0.87 - 2.20
CM2 - 0405L00	CM2 - 0406L00	GaAlAs Red 	2.20 - 5.50
CM2 - 0405G00	CM2 - 0406G00	SB/Green 	1.70 - 4.40