



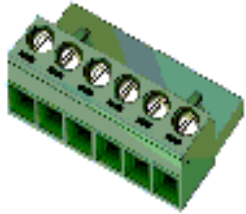
# PLUG IN TYPE TERMINAL BLOCK

## ETB 41~47 SERIES

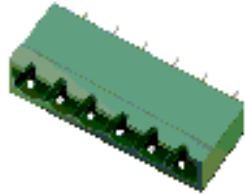
PITCH=3.81mm (0.15inch), 5.08mm (0.2inch)

### ETB41,43 SERIES

E133988(R)



ETB41

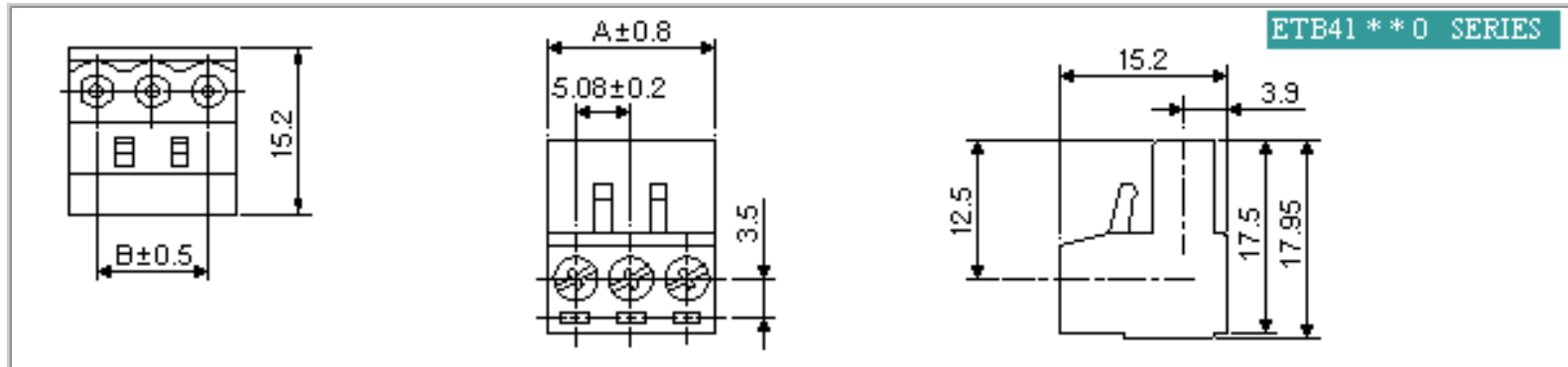


ETB43

#### SPECIFICATIONS:

- Housing material: Polyamide 66 (UL 94V-0) resin
- Terminals: Tin plated over Brass
- Screws: Zinc plated over Steel
- Wire cage: Nickel Plated over Zinc Alloy
- Wire protector: Nickel plated over Brass
- Dielectric strength: 2000 VAC (Min.)
- Wire range: 12 AWG to 24 AWG
- Insulation resistance: 500 MΩ, 500 VDC
- Rated: 10 Amp, 300 VAC

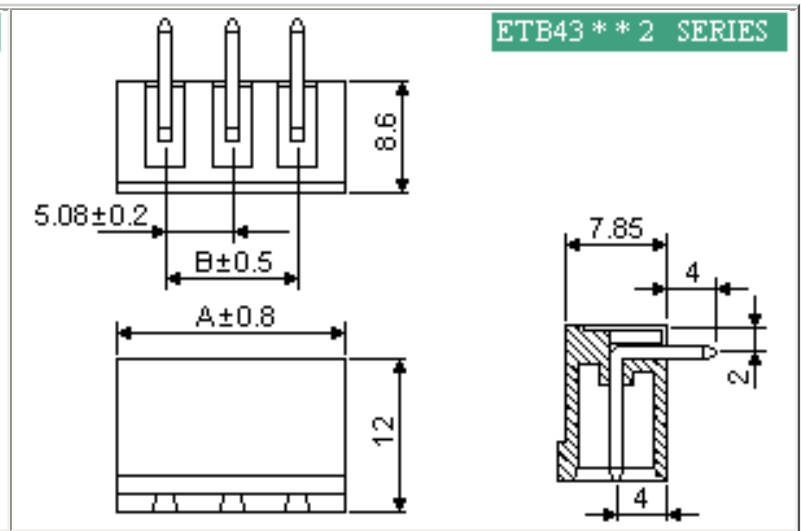
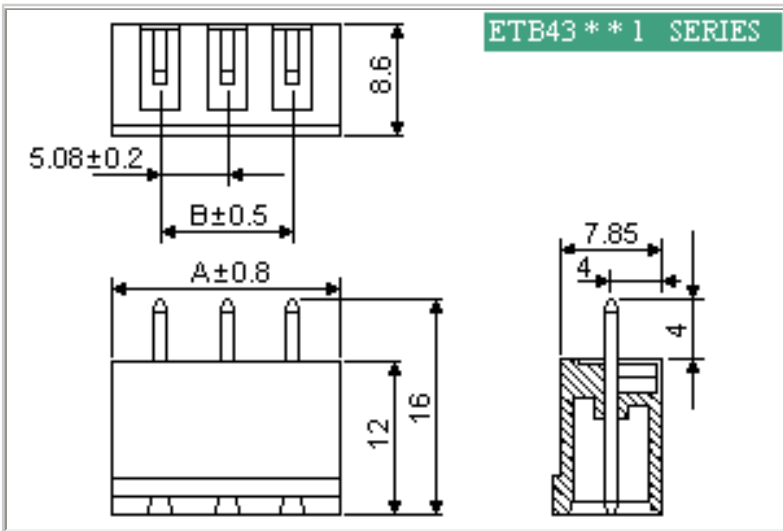
**PITCH=5.08mm (0.2inch)**  
**WIRE RANGE: 12-24 AWG**



DIMENSIONS: mm(inch)

\*\*NUMBER OF POLE 02~16

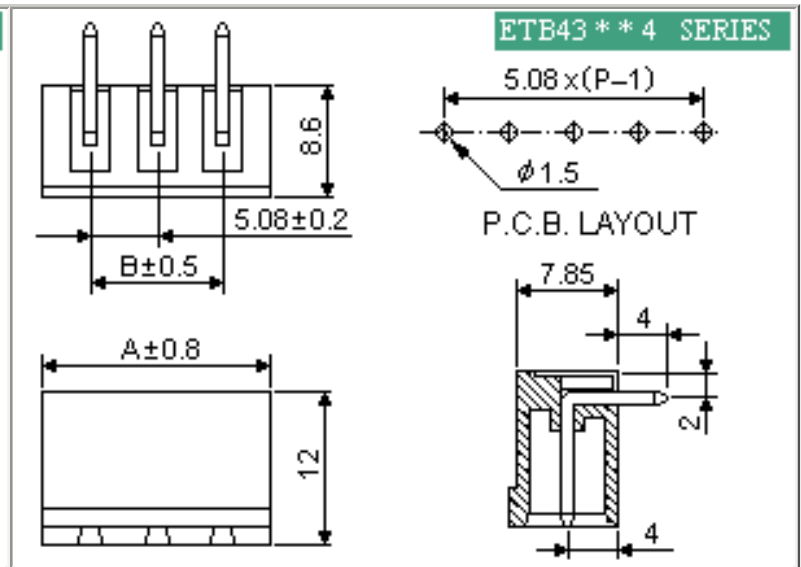
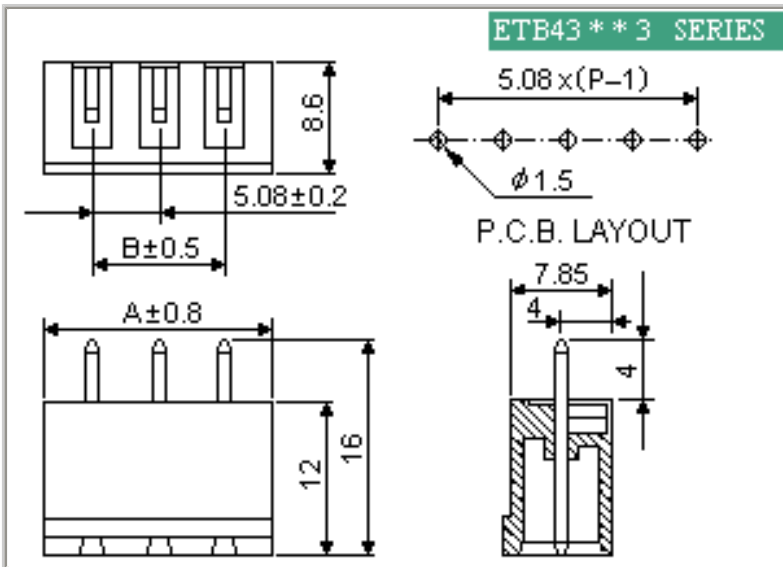
POLE	2	3	4	5	6	7	8	9	10	11	12	13	14	15	16
A±0.8	10.16 (0.400)	15.24 (0.600)	20.32 (0.800)	25.4 (1.000)	30.48 (1.200)	35.56 (1.400)	40.64 (1.600)	45.72 (1.800)	50.8 (2.000)	55.88 (2.200)	60.96 (2.400)	66.04 (2.600)	71.12 (2.800)	76.2 (3.000)	81.28 (3.200)
B±0.5	5.08 (0.200)	10.16 (0.400)	15.24 (0.600)	20.32 (0.800)	25.4 (1.000)	30.48 (1.200)	35.56 (1.400)	40.64 (1.600)	45.72 (1.800)	50.8 (2.000)	55.88 (2.200)	60.96 (2.400)	66.04 (2.600)	71.12 (2.800)	76.2 (3.000)



DIMENSIONS: mm(inch)

\*\*NUMBER OF POLE 02~16

POLE	2	3	4	5	6	7	8	9	10	11	12	13	14	15	16
A±0.8	12.18 (0.480)	17.26 (0.680)	22.34 (0.880)	27.42 (1.080)	32.5 (1.280)	37.58 (1.480)	42.66 (1.680)	47.74 (1.880)	52.82 (2.080)	57.9 (2.280)	62.98 (2.480)	68.06 (2.680)	73.14 (2.880)	78.22 (3.080)	83.31 (3.280)
B±0.5	5.08 (0.200)	10.16 (0.400)	15.24 (0.600)	20.32 (0.800)	25.4 (1.000)	30.48 (1.200)	35.56 (1.400)	40.64 (1.600)	45.72 (1.800)	50.8 (2.000)	55.88 (2.200)	60.96 (2.400)	66.04 (2.600)	71.12 (2.800)	76.2 (3.000)



DIMENSIONS: mm(inch)

\*\*NUMBER OF POLE 02~16

POLE	2	3	4	5	6	7	8	9	10	11	12	13	14	15	16
A±0.8	10.16 (0.400)	15.24 (0.600)	20.32 (0.800)	25.4 (1.000)	30.48 (1.200)	35.56 (1.400)	40.64 (1.600)	45.72 (1.800)	50.8 (2.000)	55.88 (2.200)	60.96 (2.400)	66.04 (2.600)	71.12 (2.800)	76.2 (3.000)	81.28 (3.200)
B±0.5	5.08 (0.200)	10.16 (0.400)	15.24 (0.600)	20.32 (0.800)	25.4 (1.000)	30.48 (1.200)	35.56 (1.400)	40.64 (1.600)	45.72 (1.800)	50.8 (2.000)	55.88 (2.200)	60.96 (2.400)	66.04 (2.600)	71.12 (2.800)	76.2 (3.000)

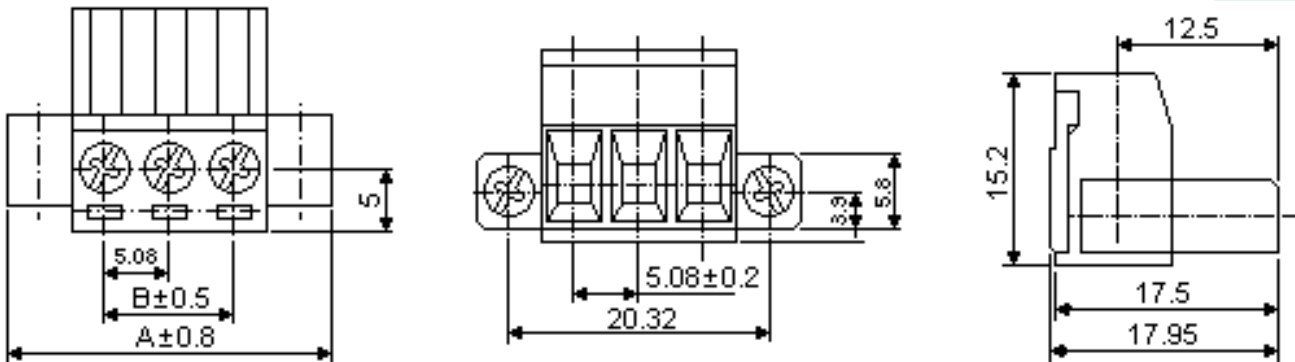
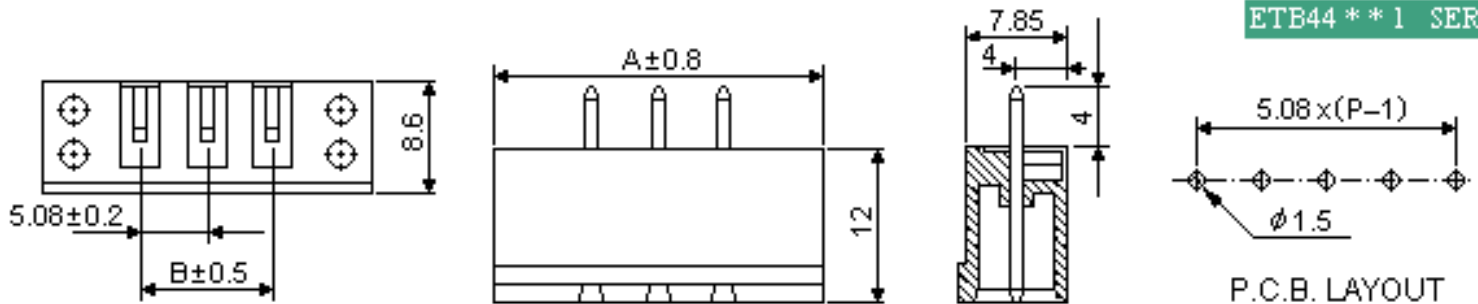
**PLUG IN TYPE TERMINAL BLOCK****ETB 41~47 SERIES****PITCH=3.81mm (0.15inch), 5.08mm (0.2inch)****ETB42,44 SERIES**

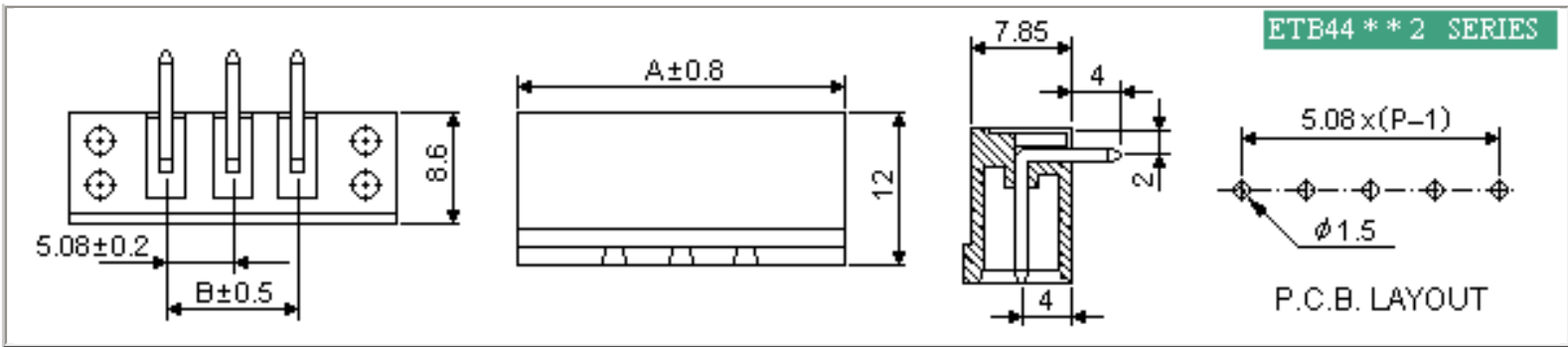
UL Pending

**ETB42****ETB44****SPECIFICATIONS:**

- Housing material: Polyamide 66 (UL 94V-0) resin
- Terminals: Tin plated over Brass
- Screws: Zinc plated over Steel
- Wire cage: Nickel Plated over Zinc Alloy
- Wire protector: Nickel plated over Brass
- Dielectric strength: 2000 VAC (Min.)
- Wire range: 12 AWG to 24 AWG
- Insulation resistance: 500 MΩ, 500 VDC
- Rated: 10 Amp, 300 VAC

**PITCH=5.08mm (0.2inch)**  
**WIRE RANGE: 12-24 AWG**

**ETB42 \*\* 0 SERIES****ETB44 \*\* 1 SERIES**



DIMENSIONS: mm(inch)

\*\*NUMBER OF POLE 02~16

POLE	2	3	4	5	6	7	8	9	10	11	12	13	14	15	16
$A \pm 0.8$	20.32 (0.800)	25.4 (1.000)	30.48 (1.200)	35.56 (1.400)	40.64 (1.600)	45.72 (1.800)	50.8 (2.000)	55.8 (2.200)	60.96 (2.400)	66.04 (2.600)	71.12 (2.800)	76.2 (3.200)	81.28 (3.200)	86.36 (3.400)	91.44 (3.600)
$B \pm 0.5$	5.08 (0.200)	10.16 (0.400)	15.24 (0.600)	20.32 (0.800)	25.4 (1.000)	30.48 (1.200)	35.56 (1.400)	40.64 (1.600)	45.72 (1.800)	50.8 (2.000)	55.8 (2.200)	60.96 (2.400)	66.04 (2.600)	71.12 (2.800)	76.2 (3.000)

**PLUG IN TYPE TERMINAL BLOCK****ETB 41~47 SERIES****PITCH=3.81mm (0.15inch), 5.08mm (0.2inch)**

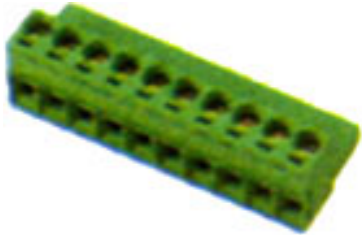
U.S.Electronics Inc

Ph: (314) 423 7550

Fax: (314) 423 0585

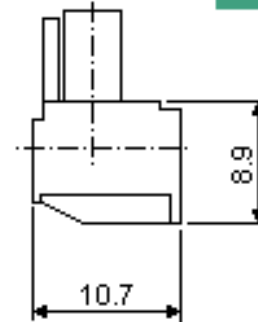
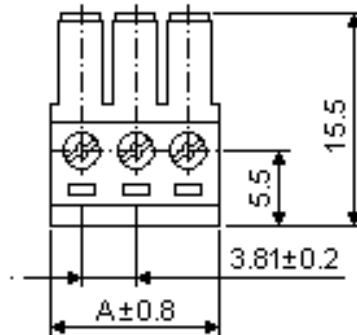
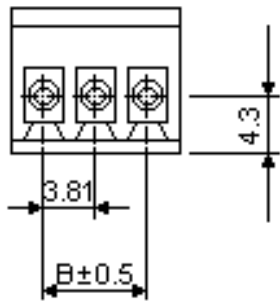
**ETB45,47 SERIES**

UL Pending

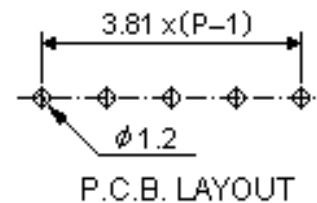
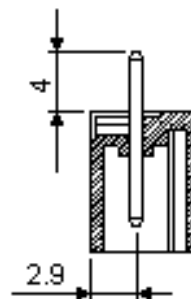
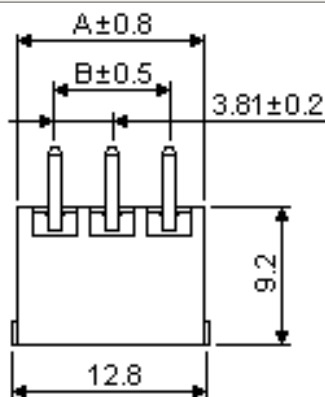
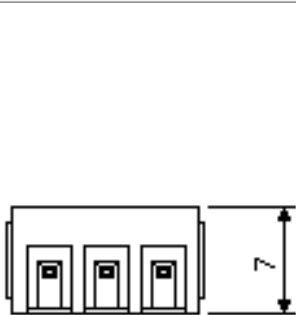
**ETB45****ETB47****SPECIFICATIONS:**

- Housing material: Polyamide 66 (UL 94V-0) resin
- Terminals: Tin plated over Brass
- Screws: Zinc plated over Steel
- Wire cage: Nickel Plated over Zinc Alloy
- Wire protector: Nickel plated over Brass
- Dielectric strength: 2000 VAC (Min.)
- Wire range: 16 AWG to 28 AWG
- Insulation resistance: 500 M $\Omega$ , 500 VDC
- Rated: 8 Amp, 300 VAC

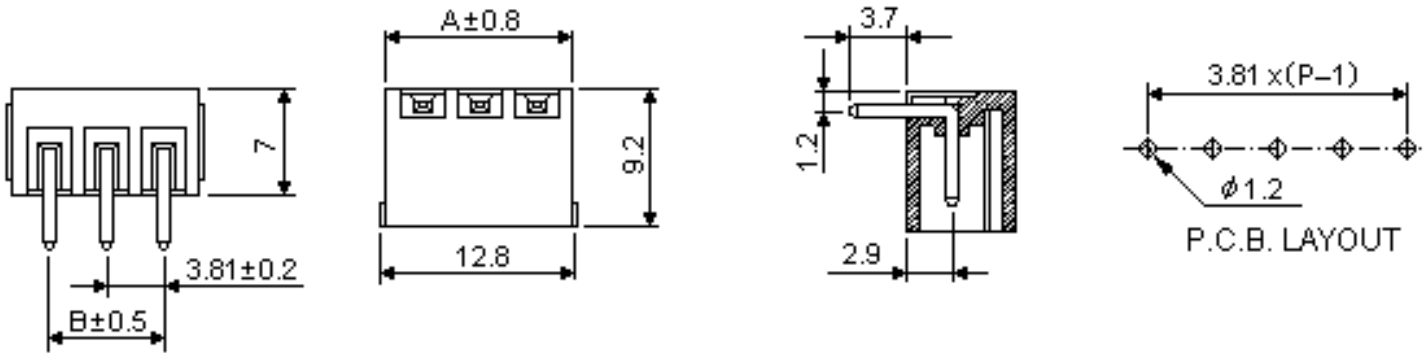
**PITCH=3.81mm (0.15inch)**  
**WIRE RANGE: 16-28 AWG**



ETB45 \*\* 0 SERIES



ETB47 \*\* 1 SERIES



DIMENSIONS: mm(inch)

\*\*NUMBER OF POLE 02~16

POLE	2	3	4	5	6	7	8	9	10	11	12	13	14	15	16
A±0.8	8.38 (0.330)	12.20 (0.480)	16.00 (0.630)	19.81 (0.780)	23.62 (0.930)	27.43 (1.080)	31.24 (1.230)	35.05 (1.380)	38.86 (1.530)	42.67 (1.680)	46.48 (1.830)	50.29 (1.980)	54.1 (2.130)	57.91 (2.280)	61.72 (2.430)
B±0.5	3.81 (0.150)	7.62 (0.300)	11.43 (0.450)	15.24 (0.600)	19.05 (0.750)	22.86 (0.900)	26.67 (1.050)	30.48 (1.200)	34.29 (1.350)	38.1 (1.500)	41.91 (1.650)	45.72 (1.800)	49.53 (1.950)	53.34 (2.100)	57.15 (2.250)